




# Neostar 2S Mono-Glass Module

## 500W-515W


Second Generation  
Comprehensive Upgrade:

 **Partial Shading Optimisation**

 **Better Temperature Coefficient**

 **High Temperature Restriction**

 **Micro-crack Resistance**

 **Higher Power**

 **Lower BOS**

 **Full Black Design**



Product  
Warranty



Performance  
Warranty



reddot winner 2023



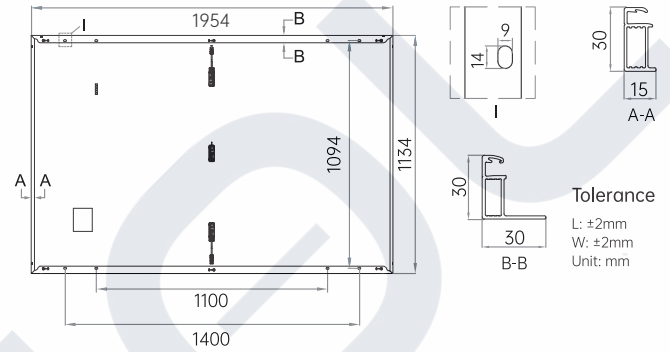
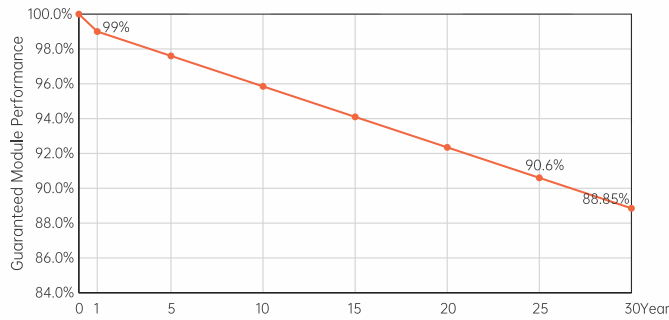
**515W**  
Output

**23.2%**  
Efficiency

**≤1%**  
First-year Degradation

**≤0.35%**  
Annual Degradation from Year 2-30

### 30-year Linear Performance Warranty



### Electrical Characteristics (STC: AM1.5 1000W/m<sup>2</sup> 25°C NOCT: AM1.5 800W/m<sup>2</sup> 20°C 1m/s)

Power Tolerance: 0~ +3%

Module Type	AIKO-A500-MAH60Mb		AIKO-A505-MAH60Mb		AIKO-A510-MAH60Mb		AIKO-A515-MAH60Mb	
	STC	NOCT	STC	NOCT	STC	NOCT	STC	NOCT
P <sub>max</sub> [W]	500	379	505	383	510	386	515	390
V <sub>oc</sub> [V]	45.02	42.71	45.12	42.80	45.22	42.90	45.32	42.99
V <sub>mp</sub> [V]	37.90	35.96	38.00	36.05	38.10	36.15	38.20	36.24
I <sub>sc</sub> [A]	14.05	11.35	14.11	11.40	14.17	11.45	14.23	11.49
I <sub>mp</sub> [A]	13.02	10.55	13.30	10.63	13.39	10.70	13.49	10.78
<b>Module Efficiency</b>	<b>22.6%</b>		<b>22.8%</b>		<b>23.0%</b>		<b>23.2%</b>	

### Product Specification

Cell type	N-Type ABC
Glass	3.2 mm tempered glass
Backsheet	High weather resistant backsheet
Frame	Black anodized aluminum
Cable	4mm <sup>2</sup> (IEC) 12AWG(UL) 1200mm
No. of cells	108(6*18)
Junction Box	IP68, 3 bypass diodes
Connector	MC4-Evo2
Weight	24.0Kg±3%
Weight	1954*1134*30mm
Package Detail	36pcs per pallet /180pcs per 20GP/ 864pcs per 40HC

### Temperature Ratings (STC)

Temperature Coefficient of I <sub>sc</sub>	+ 0.05%/ °C
Temperature Coefficient of V <sub>oc</sub>	- 0.22%/ °C
Temperature Coefficient of P <sub>max</sub>	- 0.26%/ °C

### Installation Guide

Operation Temperature	-40°C - +85°C
Maximum Series Fuse Rating	25A
Protection Class	Class II
V <sub>oc</sub> and I <sub>sc</sub> Tolerance	±3%
Maximum System Voltage	DC1500V
Maximum Static Loading	+5400Pa/-2400Pa
Hail Test	25 mm diameter hail at 23 m/s
Fire Rating	IEC Class C

# SOLSOL

SOLSOL s.r.o.  
Technická 3029, 616 00, Brno,  
Czech Republic  
sales@solsol.cz  
www.solsol.cz

# AIKO

\*AIKO Energy reserves right to update the specification without notice  
DSDr\_EN\_2405\_V1.1



www.aikosolar.com  
marketing@aikosolar.com